

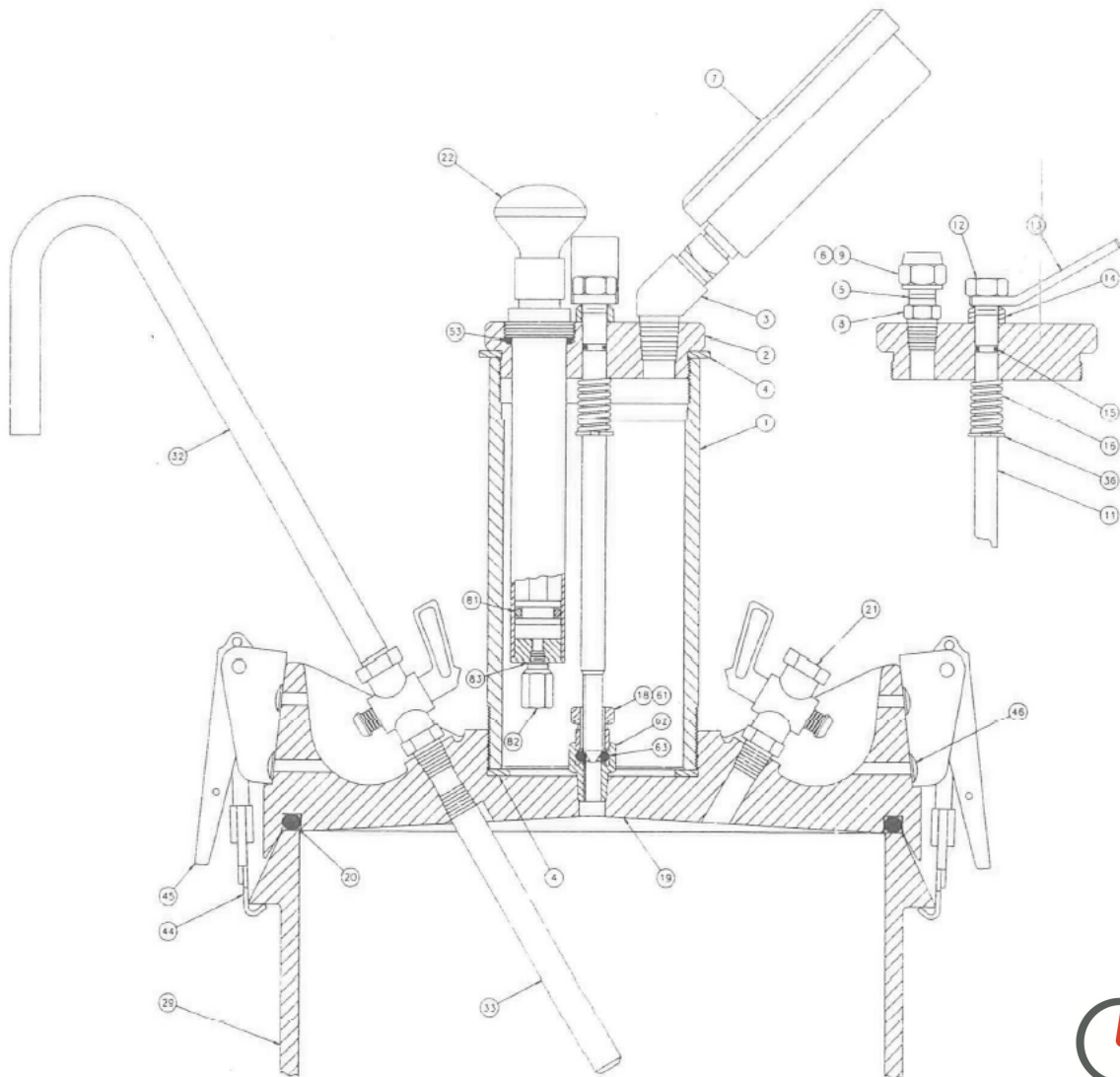
Fresh Concrete Testing

54

Air Meter Parts List

Geo-Con Products' can repair & service all air entrainment meters but also stock a large range of Forney ® replacement parts for supply.

ITEM	PART#	DESCRIPTION	QTY.	ITEM	PART#	DESCRIPTION	QTY.	ITEM	PART#	DESCRIPTION	QTY.
	LA-0280	Tamping Rod	1	16	LA-0316-16	Needle valve spring	1		LA-0316-38-01	Carrying case latch	2
	LA-0305-28	Syringe	1	18	LA-0316-18	Needle valve seat assembly	1	44	LA-0316-44	Lid latch tab	4
1	LA-0316-01	Pressure chamber	1	19	LA-0316-19	Lid	1	45	LA-0316-45	Lid latch assembly	4
2	LA-0316-02	Pressure chamber cap	1	20	TM-3030	Lid o-ring	1	46	LA-0316-46	Pan head screws, #10 x 1/2"	12
3	LA-0316-03	Pressure chamber elbow	1	21	LA-0316-21	Lid petcock	2	53	LA-0316-53	Super-Pump o-ring	1
4	LA-0316-04	Pressure chamber gasket	2	22	LA-0316-22	Super-Pump complete	1		LA-0316-57	Pressure chamber label	1
5	LA-0316-05	Air bleeder valve assembly	1		LA-0316-23	Instruction label	1		LA-0316-60	Gasket repair kit	1
6	LA-0316-06	Air bleeder valve cap	1		LA-0316-27	Parts list	1	61	LA-0316-61	5/16" 41WB nut	1
7	LA-0316-07	Gauge complete	1	29	LA-0316-29	Base, 1/4 cu. ft.	1	62	LA-0316-62	5/16" x 1/8" male connector	1
8	LA-0316-08	Air bleeder valve stem	1		LA-0316-30-01	Gauge glass	1	63	LA-0316-63	Needle valve seat o-ring	1
9	LA-0316-09	Air bleeder valve gasket	1		LA-0316-31-B	Calibration vessel	1	81	LA-0316-81	Piston o-ring	1
11	LA-0316-11	Needle valve stem	1	32	LA-0316-32	Calibration tube, outside	1	82	LA-0316-82	Check valve	1
12	LA-0316-12	Needle valve nut	1	33	LA-0316-33	Calibration tube, inside	1	83	LA-0316-82-01	Check valve gasket	1
13	LA-0316-13	Needle valve lever	1		LA-0316-34	Strike-off bar	1		LA-0316-94	Econo-cal calibration vessel	1
14	LA-0316-14	Needle valve spacer	1	36	LA-0316-36	Needle valve stem snap ring	1		LA-0316-95	Accu-cal calibration vessel	1
15	LA-0316-15	Needle valve o-ring	1		LA-0316-38	Carrying case	1		LA-0316-T	Lid assembly w/o base	1



53 Granite Street, GEEBUNG, QLD, 4034, Australia | P.O. Box 124, VIRGINIA, QLD 4014, Australia

Ph.: +61 (0)7 3265 4952 | Fax: +61 (0)7 3265 2713 | Email: sales@geo-con.com.au | Web: www.geo-con.com.au